

CAST STEEL DUAL-PLATE WAFER TYPE SWING CHECK VALVE CLASS 150, 2"~66"

Series DPC

Features

- Cast steel body construction providing liberal strength to meet most conditions
- A choice of metal-to-metal or soft sealing
- Full range of pressure class and sizes
- Variety of body and disc materials
- Savings in price and installation cost compared to conventional check valves

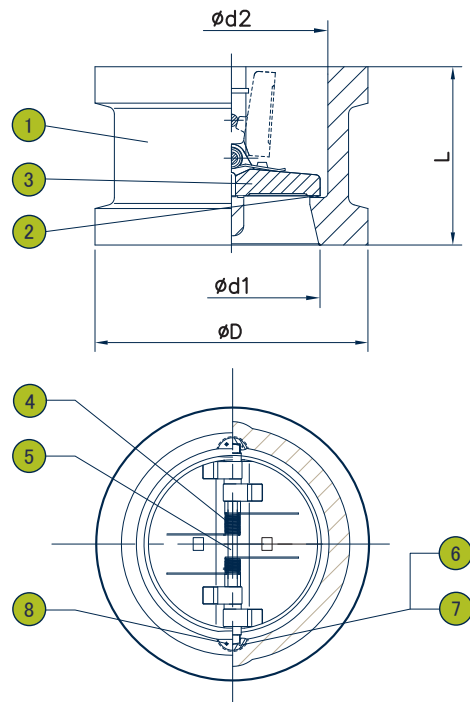
Standards

- Basic design to API 594
- Face-to-Face acc. to API 594
- Flange Dimensions acc. to ASME B16.5
- Inspection & test according to API 598

PMA: 285 psi@34°F
TMA: 176°F for Soft seat
572°F for Metal seat

Selection:

Material of Body:
CF8M / WCB / CF8 / CF3



Materials List		
No.	PARTS NAME	MATERIALS
1	BODY	CF8M / WCB / CF8 / CF3
2	SEALING	VITON / BUNA-N / CF8M / CF8 CF3 / EPDM / 13Cr / STL
3	DISC	CF8M / WCB / CF8 / CF3
4	SPRING	INCONEL-X750
5	HINGE PIN	F316 / F304 / F304L
6	SPLIT RING	F316 / F304 / F304L
7	SPLIT POSITIONING BLOCK	F316 / F304 / F304L
8	POSITIONING SCREW	F316 / F304 / F304L / 1035

* Enclosed is a condensed table. For complete options, contact DIE ERSTE directly.

ASME B16.5 Dimensions (mm)

Size		D	L	d1	d2
DN	IN				
50	2"	103	60	51	58
65	2½"	122	67	65	73
80	3"	135	73	80	88
100	4"	173	73	102	108
125	5"	195	86	127	132
150	6"	220	98	152	160
200	8"	277	127	203	210
250	10"	337	146	254	266
300	12"	407	181	305	310
350	14"	448	184	350	355
400	16"	512	191	400	405
450	18"	547	203	450	455
500	20"	604	219	500	505
600	24"	715	222	600	605

ASME B16.47B Dimensions (mm)

Size		D	L	d1	d2
DN	IN				
650	26"	722	222	630	650
700	28"	773	305	700	700
750	30"	824	305	746	750
800	32"	878	305	796	800
900	36"	983	368	898	903
1000	40"	1090	432	976	985
1050	42"	1142	432	1050	1055
1100	44"	1193	432	1070	1070
1200	48"	1302	524	1200	1205
1350	54"	1460	591	1312	1315
1400	56"	1512	591	1360	1370
1500	60"	1628	660	1458	1470
1650	66"	1881	787	1630	1663

ASME B16.47A Dimensions (mm)

Size		D	L	d1	d2
DN	IN				
650	26"	770	222	633	650
700	28"	827	305	700	700
750	30"	878	305	746	750
800	32"	935	305	796	800
900	36"	1045	368	874	894
1000	40"	1158	432	976	985
1050	42"	1213	432	1050	1055
1100	44"	1274	432	1070	1070
1200	48"	1380	524	1166	1205
1350	54"	1545	591	1312	1315
1400	56"	1602	591	1360	1370
1500	60"	1710	660	1458	1470

CAST STEEL DUAL-PLATE WAFER TYPE SWING CHECK VALVE

CLASS 300, 2"~60"

Series DPC

Features

- Cast steel body construction providing liberal strength to meet most conditions
- A choice of metal-to-metal or soft sealing
- Full range of pressure class and sizes
- Variety of body and disc materials
- Savings in price and installation cost compared to conventional check valves

Standards

- Basic design to API 594
- Face-to-Face acc. to API 594
- Flange Dimensions acc. to ASME B16.5
- Inspection & test according to API 598

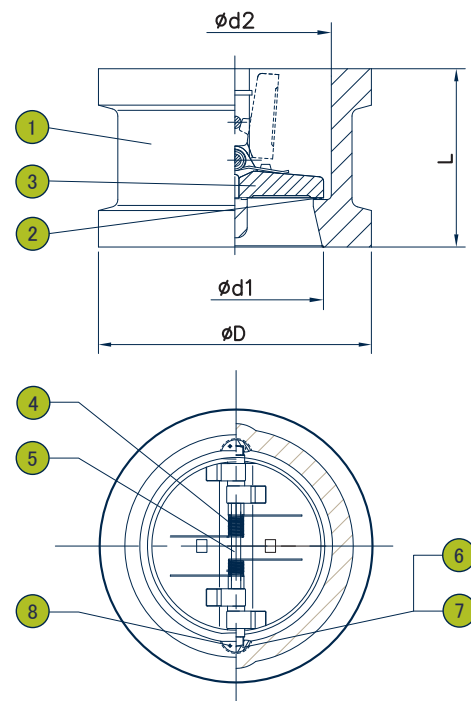
PMA: 285 psi@34°F
TMA: 176°F for Soft seat
572°F for Metal seat

Selection:

Material of Body:
CF8M / WCB / CF8 / CF3

Materials List		
No.	PARTS NAME	MATERIALS
1	BODY	CF8M / WCB / CF8 / CF3
2	SEALING	VITON / BUNA-N / CF8M / CF8 CF3 / EPDM / 13Cr / STL
3	DISC	CF8M / WCB / CF8 / CF3
4	SPRING	INCONEL-X750
5	HINGE PIN	F316 / F304 / F304L
6	SPLIT RING	F316 / F304 / F304L
7	SPLIT POSITIONING BLOCK	F316 / F304 / F304L
8	POSITIONING SCREW	F316 / F304 / F304L / 1035

* Enclosed is a condensed table. For complete options, contact DIE ERSTE directly.



DIE ERSTE reserves the right to change product design and specifications without notice. Copyright © 2019 by DIE ERSTE INDUSTRY CO., LTD.

ASME B16.5 Dimensions (mm)

Size		D	L	d1	d2
DN	IN				
50	2"	110	60	51	58
65	2½"	128	67	65	73
80	3"	147	73	80	88
100	4"	179	73	102	108
125	5"	214	86	127	132
150	6"	249	98	152	160
200	8"	305	127	203	210
250	10"	359	146	254	266
300	12"	420	181	305	310
350	14"	483	222	350	355
400	16"	537	232	400	405
450	18"	594	264	450	455
500	20"	652	292	500	505
600	24"	772	318	600	608

ASME B16.47B Dimensions (mm)

Size		D	L	d1	d2
DN	IN				
650	26"	767	356	633	640
700	28"	821	368	685	685
750	30"	882	368	735	740
800	32"	936	368	784	784
900	36"	1044	483	873	880
1000	40"	1146	546	976	985
1050	42"	1196	568	1035	1045
1200	48"	1365	629	1166	1190
1350	54"	1526	718	1312	1315
1500	60"	1704	838	1458	1470

ASME B16.47A Dimensions (mm)

Size		D	L	d1	d2
DN	IN				
650	26"	831	356	633	640
700	28"	895	368	685	685
750	30"	949	368	735	740
800	32"	1003	368	784	784
900	36"	1113	483	873	880
1000	40"	1110	546	976	985
1050	42"	1161	568	1035	1045
1200	48"	1320	629	1166	1190
1350	54"	1489	718	1312	1315
1500	60"	1642	838	1458	1470

CAST STEEL DUAL-PLATE WAFER TYPE SWING CHECK VALVE CLASS 600, 2"~48"

Series DPC

Features

- Cast steel body construction providing liberal strength to meet most conditions
- A choice of metal-to-metal or soft sealing
- Full range of pressure class and sizes
- Variety of body and disc materials
- Savings in price and installation cost compared to conventional check valves

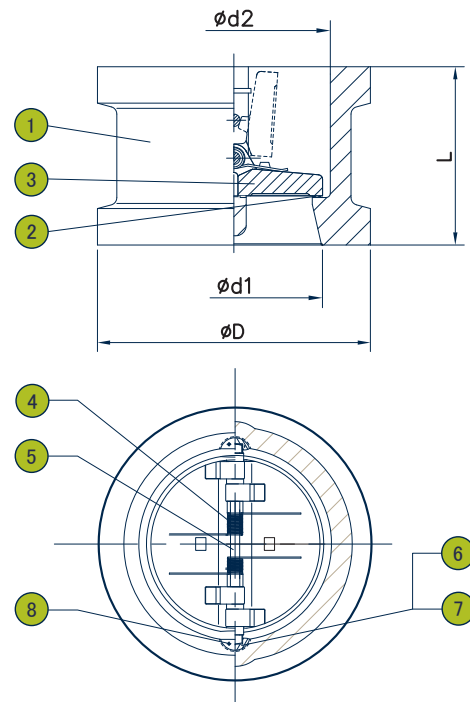
Standards

- Basic design to API 594
- Face-to-Face acc. to API 594
- Flange Dimensions acc. to ASME B16.5
- Inspection & test according to API 598

PMA: 285 psi@34°F
TMA: 176°F for Soft seat
572°F for Metal seat

Selection:

Material of Body:
CF8M / WCB / CF8 / CF3



Materials List		
No.	PARTS NAME	MATERIALS
1	BODY	CF8M / WCB / CF8 / CF3
2	SEALING	VITON / BUNA-N / CF8M / CF8 CF3 / EPDM / 13Cr / STL
3	DISC	CF8M / WCB / CF8 / CF3
4	SPRING	INCONEL-X750
5	HINGE PIN	F316 / F304 / F304L
6	SPLIT RING	F316 / F304 / F304L
7	SPLIT POSITIONING BLOCK	F316 / F304 / F304L
8	POSITIONING SCREW	F316 / F304 / F304L / 1035

* Enclosed is a condensed table. For complete options, contact DIE ERSTE directly.

ASME B16.5 Dimensions (mm)

Size		D	L	d1	d2
DN	IN				
50	2"	110	60	51	58
65	2½"	128	67	65	73
80	3"	147	73	80	88
100	4"	191	79	102	108
125	5"	239	105	127	136
150	6"	264	136	152	162
200	8"	318	165	200	212
250	10"	398	213	250	266
300	12"	455	229	305	312
350	14"	490	273	337	355
400	16"	562	305	387	400
450	18"	610	362	438	450
500	20"	680	368	489	500
600	24"	786	438	591	600

ASME B16.47B Dimensions (mm)

Size		D	L	d1	d2
DN	IN				
650	26"	761	457	633	640
700	28"	815	483	684	690
750	30"	875	505	735	740
800	32"	928	533	779	784
900	36"	1045	635	874	880

ASME B16.47A Dimensions (mm)

Size		D	L	d1	d2
DN	IN				
650	26"	863	457	633	640
700	28"	910	483	684	690
750	30"	967	505	735	740
800	32"	1020	533	779	784
900	36"	1126	635	874	880
1000	40"	1153	660	976	985
1050	42"	1215	702	1020	1030
1200	48"	1386	787	1166	1170

CAST STEEL DUAL-PLATE WAFER TYPE SWING CHECK VALVE CLASS 900, 2"~48"

Series DPC

Features

- Cast steel body construction providing liberal strength to meet most conditions
- A choice of metal-to-metal or soft sealing
- Full range of pressure class and sizes
- Variety of body and disc materials
- Savings in price and installation cost compared to conventional check valves

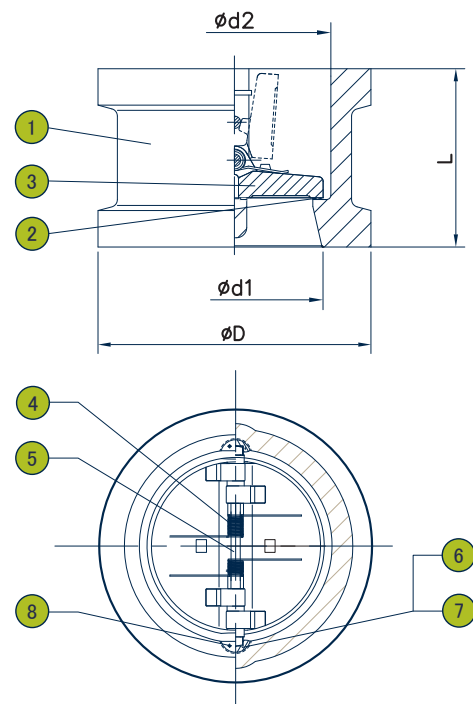
Standards

- Basic design to API 594
- Face-to-Face acc. to API 594
- Flange Dimensions acc. to ASME B16.5
- Inspection & test according to API 598

PMA: 285 psi@34°F
TMA: 176°F for Soft seat
572°F for Metal seat

Selection:

Material of Body:
CF8M / WCB / CF8 / CF3



Materials List		
No.	PARTS NAME	MATERIALS
1	BODY	CF8M / WCB / CF8 / CF3
2	SEALING	VITON / BUNA-N / CF8M / CF8 CF3 / EPDM / 13Cr / STL
3	DISC	CF8M / WCB / CF8 / CF3
4	SPRING	INCONEL-X750
5	HINGE PIN	F316 / F304 / F304L
6	SPLIT RING	F316 / F304 / F304L
7	SPLIT POSITIONING BLOCK	F316 / F304 / F304L
8	POSITIONING SCREW	F316 / F304 / F304L / 1035

* Enclosed is a condensed table. For complete options, contact DIE ERSTE directly.

4
DIE ERSTE reserves the right to change product design and specifications without notice. Copyright © 2019 by DIE ERSTE INDUSTRY CO., LTD.

ASME B16.5 Dimensions (mm)

Size		D	L	d1	d2
DN	IN				
50	2"	140	70	51	58
65	2½"	162	83	65	73
80	3"	165	83	80	90
100	4"	204	102	102	108
125	5"	245	110	127	136
150	6"	286	159	150	162
200	8"	356	206	200	212
250	10"	432	241	250	266
300	12"	495	292	305	312
350	14"	518	356	337	355
400	16"	572	384	387	400
450	18"	635	451	438	450
500	20"	695	451	487	496
600	24"	835	495	591	600

ASME B16.47B Dimensions (mm)

Size		D	L	d1	d2
DN	IN				
650	26"	835	533	617	630
700	28"	898	572	665	680
750	30"	955	635	712	735
800	32"	1012	660	760	784
900	36"	1120	718	855	865

ASME B16.47A Dimensions (mm)

Size		D	L	d1	d2
DN	IN				
650	26"	879	533	617	630
700	28"	943	572	665	680
750	30"	1006	635	712	735
800	32"	1070	660	760	784
900	36"	1195	718	855	865
1000	40"	1246	762	950	965
1050	42"	1296	787	995	1015
1200	48"	1483	851	1140	1160

CAST STEEL DUAL-PLATE WAFER TYPE SWING CHECK VALVE CLASS 1500, 2"~24"

Series DPC

Features

- Cast steel body construction providing liberal strength to meet most conditions
- A choice of metal-to-metal or soft sealing
- Full range of pressure class and sizes
- Variety of body and disc materials
- Savings in price and installation cost compared to conventional check valves

PMA: 285 psi@34°F
TMA: 176°F for Soft seat
572°F for Metal seat

Selection:

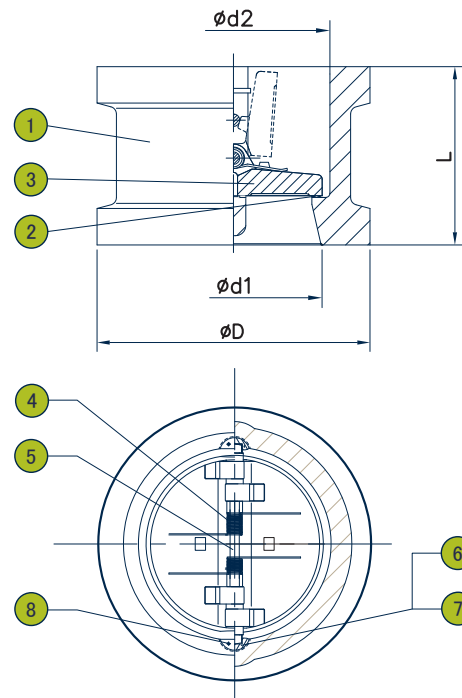
Material of Body:
CF8M / WCB / CF8 / CF3

Standards

- Basic design to API 594
- Face-to-Face acc. to API 594
- Flange Dimensions acc. to ASME B16.5
- Inspection & test according to API 598

Materials List		
No.	PARTS NAME	MATERIALS
1	BODY	CF8M / WCB / CF8 / CF3
2	SEALING	VITON / BUNA-N / CF8M / CF8 CF3 / EPDM / 13Cr / STL
3	DISC	CF8M / WCB / CF8 / CF3
4	SPRING	INCONEL-X750
5	HINGE PIN	F316 / F304 / F304L
6	SPLIT RING	F316 / F304 / F304L
7	SPLIT POSITIONING BLOCK	F316 / F304 / F304L
8	POSITIONING SCREW	F316 / F304 / F304L / 1035

* Enclosed is a condensed table. For complete options, contact DIE ERSTE directly.



Dimensions (mm)

Size		D	L	d1	d2
DN	IN				
50	2"	140	70	51	58
65	2½"	162	83	65	73
80	3"	172	83	80	90
100	4"	207	102	102	108
125	5"	252	110	127	136
150	6"	280	159	150	162
200	8"	350	206	200	212
250	10"	433	248	254	266
300	12"	518	305	305	312
350	14"	576	356	337	355
400	16"	639	384	387	400
450	18"	701	468	430	438
500	20"	753	533	478	487
600	24"	897	559	570	578

CAST STEEL DUAL-PLATE WAFER TYPE SWING CHECK VALVE

CLASS 2500, 2"~12"

Series DPC

Features

- Cast steel body construction providing liberal strength to meet most conditions
- A choice of metal-to-metal or soft sealing
- Full range of pressure class and sizes
- Variety of body and disc materials
- Savings in price and installation cost compared to conventional check valves

PMA: 285 psi@34°F
TMA: 176°F for Soft seat
572°F for Metal seat

Selection:

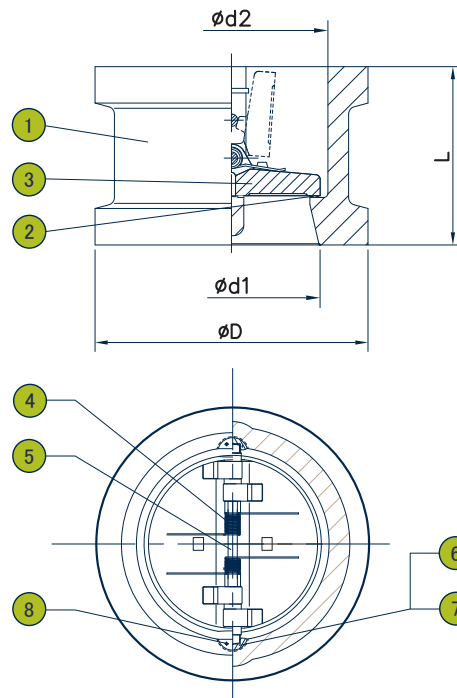
Material of Body:
CF8M / WCB / CF8 / CF3

Standards

- Basic design to API 594
- Face-to-Face acc. to API 594
- Flange Dimensions acc. to ASME B16.5
- Inspection & test according to API 598

Materials List		
No.	PARTS NAME	MATERIALS
1	BODY	CF8M / WCB / CF8 / CF3
2	SEALING	VITON / BUNA-N / CF8M / CF8 CF3 / EPDM / 13Cr / STL
3	DISC	CF8M / WCB / CF8 / CF3
4	SPRING	INCONEL-X750
5	HINGE PIN	F316 / F304 / F304L
6	SPLIT RING	F316 / F304 / F304L
7	SPLIT POSITIONING BLOCK	F316 / F304 / F304L
8	POSITIONING SCREW	F316 / F304 / F304L / 1035

* Enclosed is a condensed table. For complete options, contact DIE ERSTE directly.



Dimensions (mm)

Size		D	L	d1	d2
DN	IN				
50	2"	143	70	42	48
65	2½"	166	83	52	58
80	3"	194	86	62	68
100	4"	232	105	88	94
125	5"	277	110	100	106
150	6"	315	159	150	162
200	8"	385	206	180	186
250	10"	474	254	225	232
300	12"	547	305	266	272